

LDO
AS7133HA

High Input Voltage LDO Linear Regulators AS7133HA Series

General Description

AS7133HA series are low-dropout linear voltage regulators with a built-in voltage reference module, error correction module and phase compensation module. AS7133HA series are based on the CMOS process and allow high voltage input with low quiescent current. This series can deliver 100mA output current and allow an input voltage as high as 30V.

Features

Output voltage: 3.3V

High output accuracy: $\pm 2\%$

Output Current: $I_{OUT} = 100\text{mA}$ ($V_{IN} = 5.5\text{V}$ and $V_{OUT} = 3.3\text{V}$)

Input Voltage: up to 30V

Ultra-low quiescent current: $3\ \mu\text{A}$

Short-circuit Current: (Typ.= 20mA)

Low temperature coefficient

Ceramic capacitor can be used

Small Packages: SOT23-3

Typical Application

Ceramic capacitor can be used

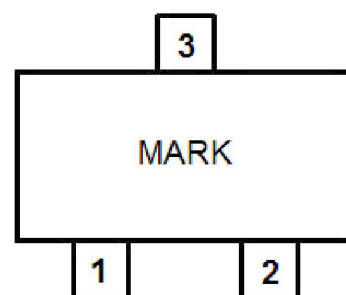
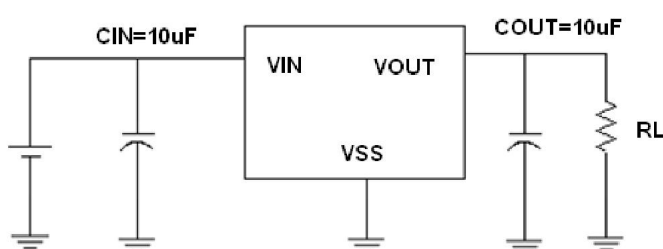
SCM

Phones, cordless phones

Security Products

Water meters, power meters

Typical Application Circuit



SOT23-3

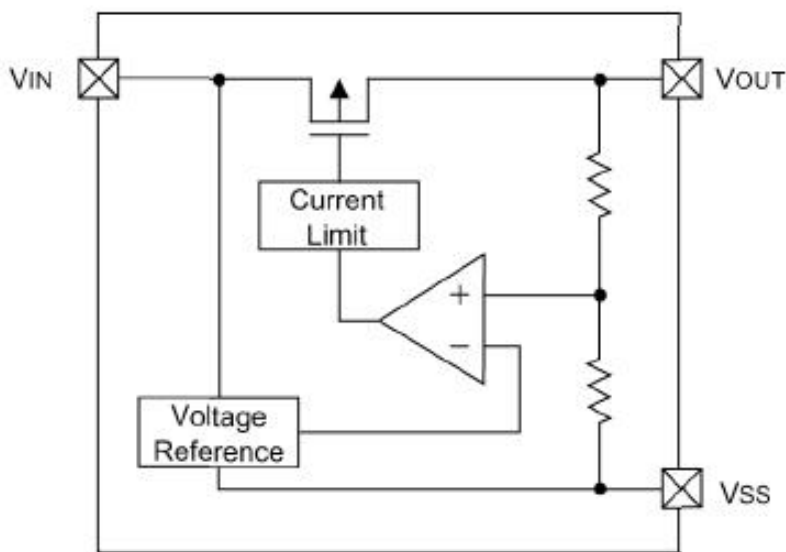
LDO
AS7133HA

High Input Voltage LDO Linear Regulators AS7133HA Series

Pin Assignment

Pin Number	Pin Name	Functions
1	V _{SS}	Ground
2	V _{out}	Output
3	V _{in}	Power input

Block Diagram



Absolute Maximum Ratings

Parameter	Symbol	Ratings	Units
Input Voltage	V _{IN}	30	V
Output Voltage	V _{OUT}	V _{SS} -0.3~V _{IN} +0.3	V
Output Current	I _{OUT}	150	mA
Operating Temperature Range	T _{OPR}	-25~+85	°C
Storage Temperature Range	T _{STG}	-40~+150	°C
Lead Temperature		260°C, 10sec	

LDO
AS7133HA

High Input Voltage LDO Linear Regulators AS7133HA Series

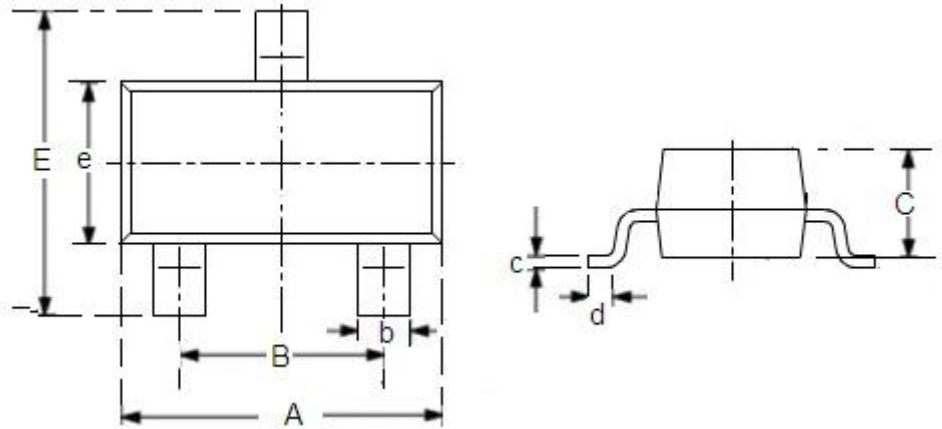
Electrical Characteristics

($V_{IN} = V_{OUT} + 2.0V$, $C_{IN} = C_L = 10\mu F$, $T_a = 25^\circ C$, unless otherwise noted)

Parameter	Symbol	Conditions	Min.	Typ.	Max.	Units
Output Voltage	V_{OUT}	$I_{OUT} = 10mA$	3.23	3.30	3.37	V
Input Voltage	V_{IN}		3.3		30	V
Maximum Output Current	I_{OUT_max}	$V_{IN} = V_{OUT} + 2.2V$		100		mA
Load Regulation	ΔV_{OUT}	$V_{IN} = V_{OUT} + 2.2V$, $1mA \leq I_{OUT} \leq 100mA$		30	60	mV
Dropout Voltage	VDIF	$I_{OUT} = 10mA$		0.22		V
		$I_{OUT} = 50mA$		1.1		V
Supply Current	ISS	$V_{IN} = V_{OUT} + 2V$		3	4	μA
Line Regulations	$\frac{\Delta V_{OUT}}{\Delta V_{IN} \times V_{OUT}}$	$I_{OUT} = 1mA$ $V_{OUT} + 1V \leq V_{IN} \leq 40V$		0.04	0.1	%/V
Short-circuit Current	ISHORT	$V_{OUT} = 0V$		20	40	mA
Temperature Coefficient	$\frac{\Delta V_{OUT}}{V_{OUT} \times \Delta T_a}$	$I_{OUT} = 10mA$ $-40^\circ C \leq T_a \leq 85^\circ C$		80		ppm/ $^\circ C$

Packaging Information

- SOT23-3



DIM	Millimeters		Inches	
	Min	Max	Min	Max
A	2.7	3.1	0.1063	0.122
B	1.7	2.1	0.0669	0.0827
b	0.35	0.5	0.0138	0.0197
C	1.0	1.2	0.0394	0.0472
c	0.1	0.25	0.0039	0.0098
d	0.2	-	0.0079	-
E	2.6	3.0	0.1023	0.1181
e	1.5	1.8	0.059	0.0708